

**GENERALSCAN**

[www.generalscan.com](http://www.generalscan.com)

# Quick Start Guide

VERSION:2.0

## GENERALSCAN

### Copyright

No part of this publication may be reproduced or used in any form, or by any electrical or mechanical means, without permission in writing. This includes electronic or mechanical means, such as photocopying, recording, or information storage and retrieval systems. The material in this manual is subject to change without notice.

The software is provided strictly on an "as is" basis. All software, including firmware, furnished to the user is on a licensed basis. We grant to the user a non-transferable and non-exclusive license to use each software or firmware program delivered hereunder (licensed program). Except as noted below, such license may not be assigned, sublicensed, or otherwise transferred by the user without our prior written consent. No right to copy a licensed program in whole or in part is granted, except as permitted under copyright law. The user shall not modify, merge, or incorporate any form or portion of a licensed program with other program material, create a derivative work from a licensed program, or use a licensed program in a network without written permission. The user agrees to maintain this copyright notice on the licensed programs delivered hereunder, and to include the same on any authorized copies it makes, in whole or in part. The user agrees not to decompile, disassemble, decode, or reverse engineer any licensed program delivered to the user or any portion thereof.

2

## GENERALSCAN

Generalscan reserves the right to make changes to any product to improve reliability, function, or design.

Generalscan does not assume any product liability arising out of, or in connection with, the application or use of any product, circuit, or application described herein.

No license is granted, either expressly or by implication, estoppel, or otherwise under any patent right or patent, covering or relating to any combination, system, apparatus, machine, material, method, or process in which Generalscan products might be used. An implied license exists only for equipment, circuits, and subsystems contained in Generalscan products.

Generalscan and the Generalscan graphic are registered trademarks of Generalscan. The Generalscan logo is a registered trademark of Generalscan Technologies, Inc., a Generalscan Technologies company.

All trademarks and service marks are proprietary to their respective owners. Bluetooth is a registered trademark of Bluetooth SIG. Google, Android are either registered trademarks or trademarks of Google Corporation. All other product or service names are the property of their respective owners.

3

## GENERALSCAN

Thanks for you use Generalscan all series of mobile barcode scanning product!

This quick start guide provides basic instructions for how to use the scanner ,charging,setting up,programming and etc.

Please be sure to read this quick start guide before you use our product in first time.

Please reference the related chapter for your model.

If you have any question and advice, please our distributor ,system integrator or send email to sales@generalscan.com

More detail production information , please visit the following web site :

<http://www.generalscan.com>

## GENERALSCAN

### Bluetooth Barcode Companion Series

**GS-M100BT**

**GS-M300BT**

**GS-M500BT**

### Quick Start Guide



## GENERALSCAN

### Charging:

Before using the Generalscan Bluetooth barcode companion which include GS-M100BT,GS-M300BT,GS-M500BT for the first time, please charge the battery using micro-USB cable until the red charging LEDs light is off. You can plug the USB-A cable into any PC USB port or Android smartphone charging adapter with 5V DC output.

Model	GS-M100BT	GS-M300BT	GS-M500BT
Interface	Micro-USB	Micro-USB	Micro-USB
Charging Voltage	DC-5V 0.3A	DC-5V 0.3A	DC-5V 0.5A
Battery Volume	550maH	550maH	600maH
Charging Time	3-5 hour	3-5 hour	3-5 hour
Working Time(10s interval trigger with good decode)	12 hour	14 hour	14 hour

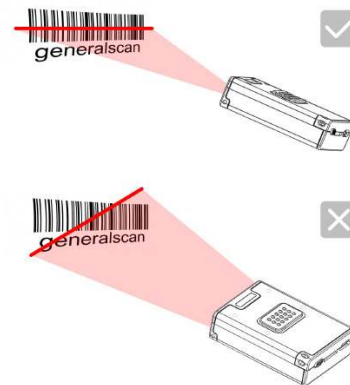
## GENERALSCAN

### Scanning Techniques

Please aim at the middle of the barcode through the red light when scan the barcode.

Please scan properly in accordance with the following diagram,adjust the scanner angle and distance slowly ,at the same time ,press the trigger button ,make the centre red light cover the left to right of the barcode .

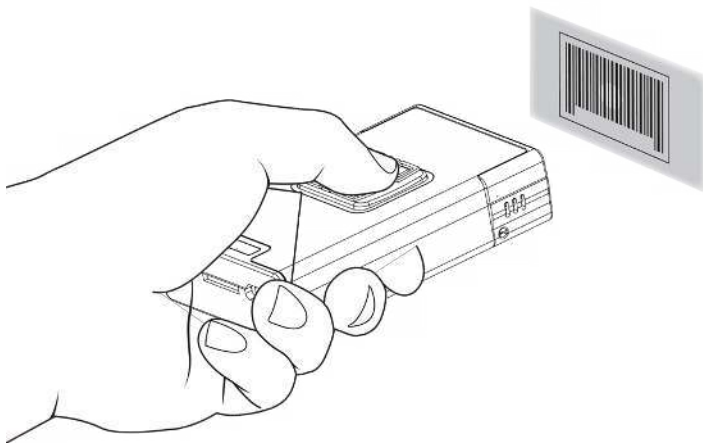
Do not use the second image to scan barcode .



## GENERALSCAN

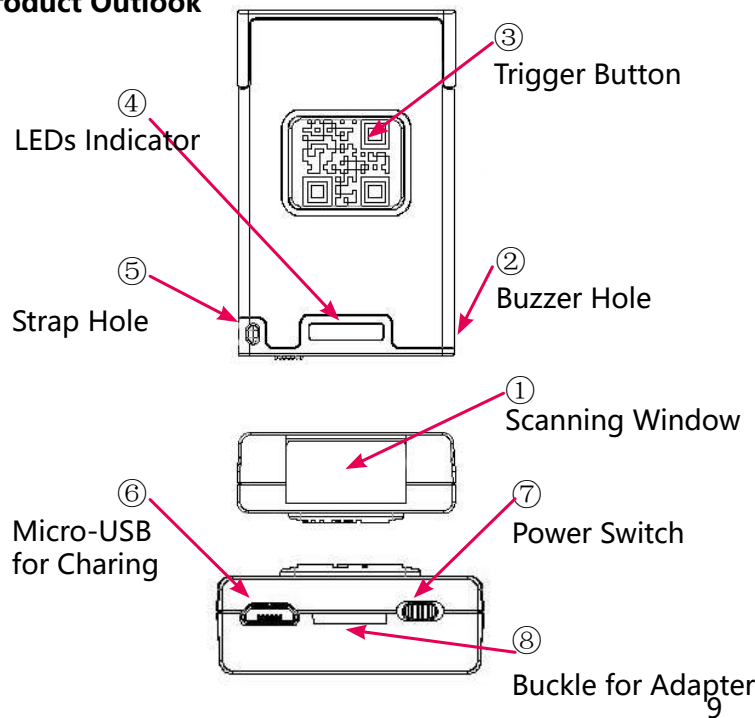
### Scanning Techniques

1. Aim the scanner at the barcode
  2. Press the trigger button to scan the barcode
  3. Ensure the aiming dot is centered on the barcode.
- Note: Aiming point of GS-M500BT is blue rectangle, GS-M500Pro is red dot.



## GENERALSCAN

### Product Outlook



**GENERALSCAN****Function Description**

Item	Name	Description
1	Scanning Window	Reading barcode ,Red light or Laser will beam out from this window
2	Buzzer Hole	The buzzer will sound when good decoded : ( 1 ) Connect USB cable , buzzer will beep "b...b.b." ; ( 2 ) Good decoed : Flashing green light and buzzer one time.
3	Trigger Button	Press the trigger button to scan the barcode one time,double click to hide and display soft keyboard in iOS device like iphone or iPad.
4	LEDs Indicator	LED has three color (Red,Green,Blue) which indicate with different scenario. Please reference the following table for detail description
5	Strap Hole	Fix strap into this hole

10

**GENERALSCAN****Function Description**

Item	Name	Description
6	MicroUSB	Charge with bluetooth barcode scanner with Micro-USB or connect PC with USB port.
7	Power Switch	Swith to left or right to power on the scanner of turn off the scanner.Please turn off the power to save power.
8	Buckle for Adapter	Use for buckle scanner with adapter

11

## GENERALSCAN

### LED Indicator Description

Item	Status	Description
1	Green LED light flashing (with buzzer sound)	Decode success
2	Green LED light flashes continuously	Low battery alarm
3	Red LED light constant light	Charging
4	Red LED light turn off	Charging is complete
5	Red LED light flashes continuously	Built-in battery abnormal
6	Blue LED continuously flashing	Enter the Bluetooth pairing mode
7	Blue LED turn off	Bluetooth Pairing successful

12

## GENERALSCAN

### Working with Mobile Phone Adapter

M series bluetooth barcode scanner can fix on the mobile phone adapter. You can stick the adapter on the back of mobile phone's protective case with magic double side sticker.

So you can handhold the scanner with smartphone with one hand .

Please fix mobile phone adapter in th clip on the back of scanner. The steps is shown in the following figure:

Figure-1

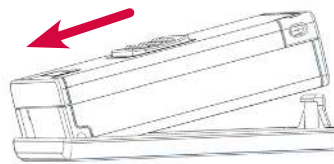


Figure-2

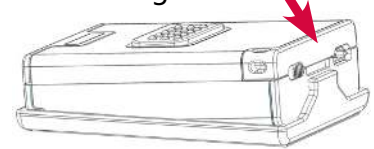


Figure-3

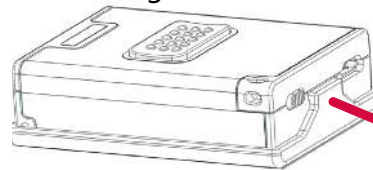
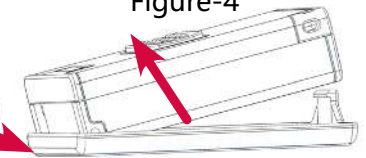


Figure-4

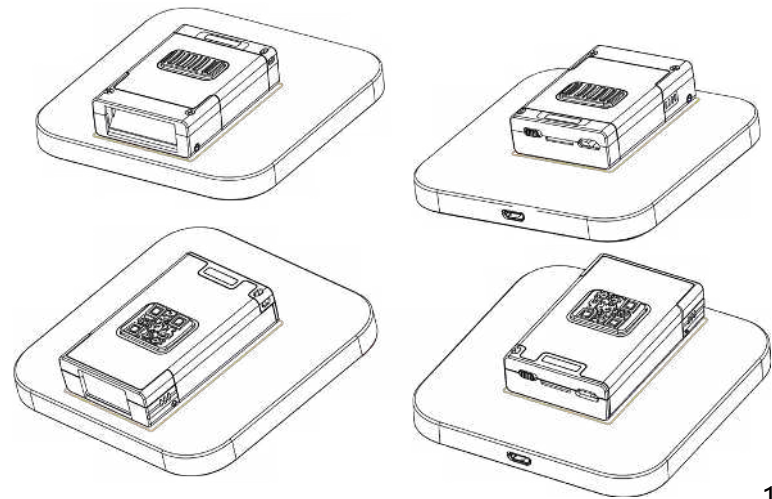


13

## GENERALSCAN

### Wireless Charging Function

You can charging the M series bluetooth barcode companion with Qi wireless charging function ,please reference the following diagram for right wireless charging .Please place the scanner on the top of charging pad and put it in the rectangle line.



14

## GENERALSCAN

### Bluetooth Ring Barcode Scanner Series

GS-R1000BT  
GS-R1001BT  
Quick Start Guide



15



## GENERALSCAN

### Charging:

Before using the Generalscan Bluetooth ring barcode companion which include GS-R1000BT,GS-R1001BT,GS-R1500BT for the first time, please charge the battery using micro-USB cable until the red charging LEDs light is off. You can plug the USB-A cable into any PC USB port or Android smartphone charging adapter with 5V DC output.

Model	GS-R1000BT	GS-R1001BT	GS-R1500BT
Interface	Micro-USB	Micro-USB	Micro-USB
Charging Voltage	DC-5V 0.3A	DC-5V 0.3A	DC-5V 0.5A
Battery Volume	350maH	350maH	350maH
Charging Time	3-5 hour	3-5 hour	3-5 hour
Working Time(10s interval trigger with good decode)	12 hour	12 hour	8hour

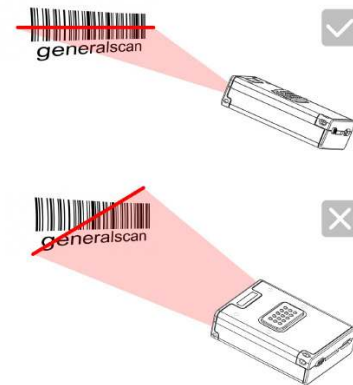
## GENERALSCAN

### Scanning Techniques

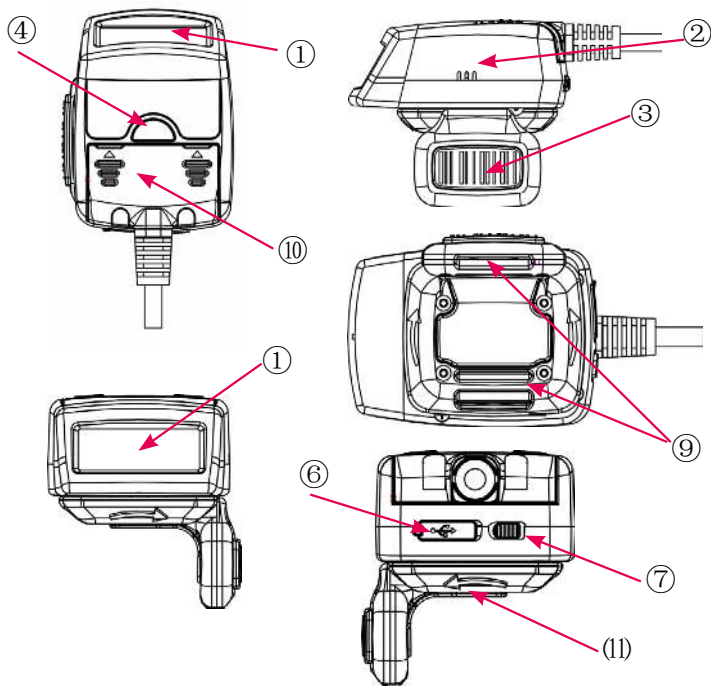
Please aim at the middle of the barcode through the red light when scan the barcode.

Please scan properly in accordance with the following diagram,adjust the scanner angle and distance slowly ,at the same time ,press the trigger button ,make the centre red light cover the left to right of the barcode .

Do not use the second image to scan barcode .



## GENERALSCAN



## GENERALSCAN

### Function Description

Item	Name	Description
1	Scanning Window	Reading barcode ,Red light or Laser will beam out from this window
2	Buzzer Hole	The buzzer will sound when good decoded : ( 1 ) Connect USB cable , buzzer will beep "b...b.b." ; ( 2 ) Good decoed : Flashing green light and buzzer one time.
3	Trigger Button	Press the trigger button to scan the barcode one time,Double click to hide and display soft keyboard in iOS device like iphone or iPad.
4	LEDs Indicator	LED has three color (Red,Green,Blue) which indicate with different scenario. Please reference the following table for detail description

## GENERALSCAN

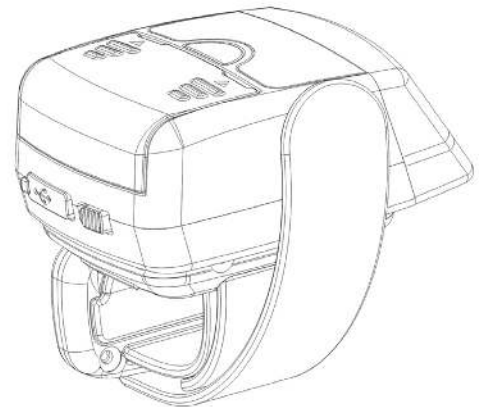
### Function Description

Item	Name	Description
6	MicroUSB	Charge with bluetooth barcode scanner with Micro-USB or connect PC with USB port.
7	Power Switch	Swith to left or right to power on the scanner of turn off the scanner.Please turn off the power to save power.
8	Buckle for Adapter	Use for buckle scanner with adapter
9	Magic Strap Hole	Take the yellow magic strap through the hole to wear it on the finger
10	Battery cover	Take off the battery cover to change the battery

## GENERALSCAN

### Velcro Wear Instruction

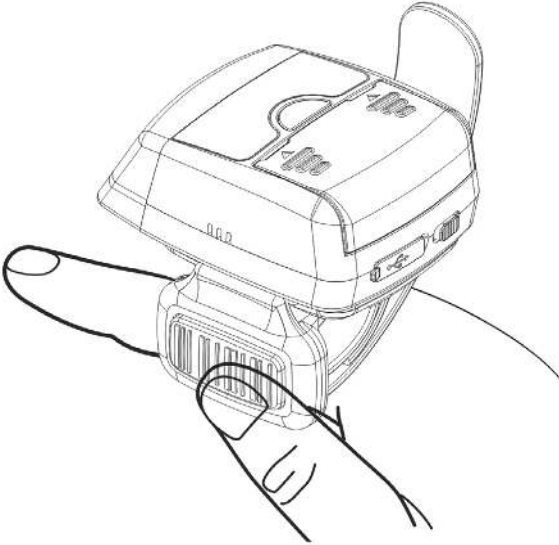
Please reference the following image to tighten or loose the velcro to make your finger comfortable.



## GENERALSCAN

### Velcro Wear Instruction

Please reference the following image to tighten or loose the velcro to maker your finger comfortable.



## GENERALSCAN

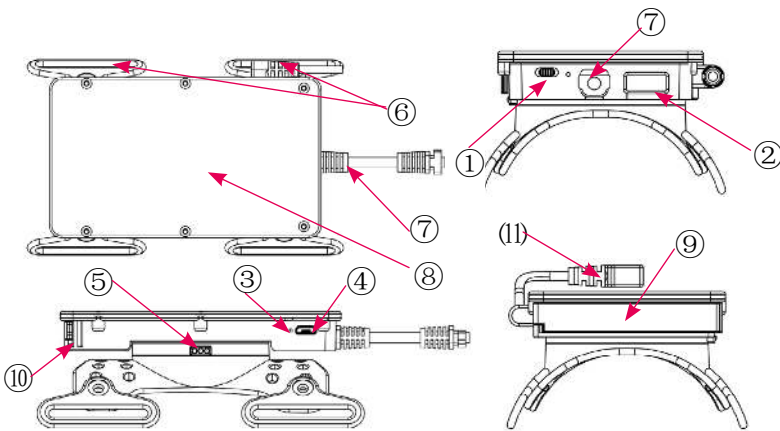
### Wearable Armmount Barcode Terminal Series

**GS-WT1000**  
**GS-WT1000BT**  
**GS-WT1500BT**  
**Quick Start Guide**



## GENERALSCAN

### WT Series Product Outlook



## GENERALSCAN

### Function Description

Item	Name	Description
1	Power Switch	Switch to left or right for power on /off
2	External Charging Port	Only for GS-WT1000BT for charging GS-R1000BT
3	LED Indicator(Blue or Red color)	USB Accessory LED,When USB Accessory detected by Android,The blue led will turn on.When in charging,red LED will turn on.
4	Micro USB	Charging for internal battery
5	Buckle Button for Arm mount	Press the button to dismantle the arm mount

**GENERALSCAN****Function Description**

Item	Name	Description
6	Strap Hole	Fix the magic sticker
7	Spring cable for scanner	Connect ring scanner to arm mount
8	Smart phone Platform	Use double side magice sticker to fix smartphone
9	Battery Door	Open the door to change the battery
10	Buckle for battery door	To fasten the battery door
11	Smartphone Micro-USB plug	for communication with smartphone

**GENERALSCAN****WT Series Installation**

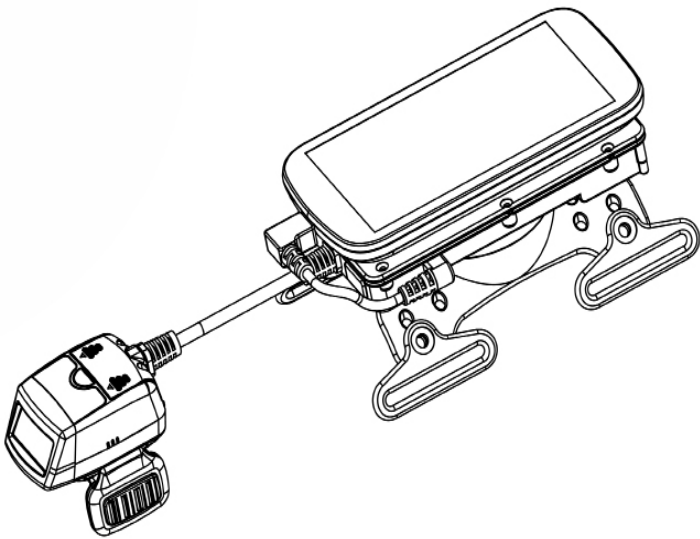
- 1.Put the smartphone with protective case and fix with double side magic sticker
- 2.Reference the following diagram, plug Micro-USB cable into Android smartphone charging port
- 3.Put the battery into compartment and close the battery door.
- 4.Power on the pow switch ,make sure the blue LED turn on.
- 5.Power on the ring scanner power switch.
- 6.Install Generalscan keyboard app or SDK apps.
- 7.Power off and Power on again , the Android system will find Android USB Accessory .
- 8.Then you can scan the barcode and transfer the barcode into your apps

Please reference the following document for detail usage.

<http://www.generalscan.com/download/Generalscan-GS-SL-GS-WT-Series-User-Manual-EN.pdf>

## GENERALSCAN

### WT Series Installation



## GENERALSCAN

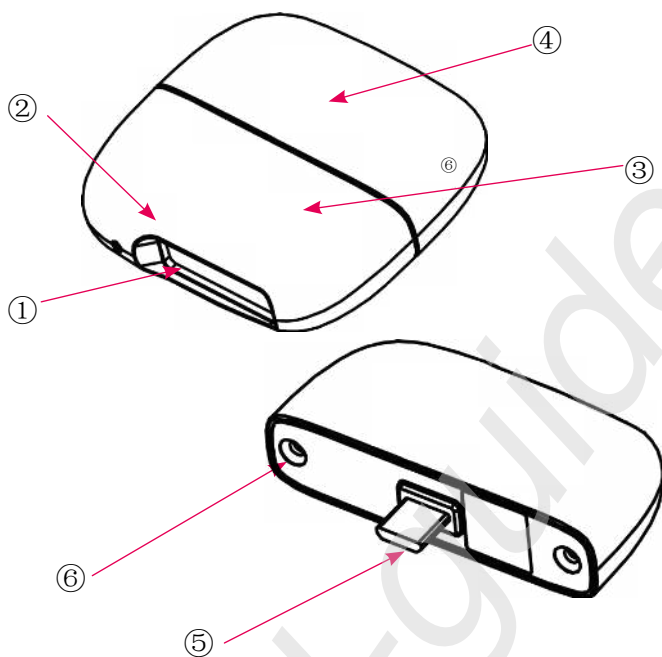
### Scanbuddy USB Barcode Accessory Series

GS-X3  
GS-X5  
GS-MT8000  
Quick Start Guide



## GENERALSCAN

### Scanbuddy Product Outlook



## GENERALSCAN

### Function Description

Item	Name	Description
1	Scan Window	Reading barcode ,Red light or Laser will beam out from this window
2	Buzzer Hole	Beeper when barcode is good read
3	Scanner Head	Main scan body
4	Protective Cover	Protect the Micro-USB plug of scan head
5	MicroUSB Plug	Plug it into smartphone or tablet micro-usb port
6	Screw Hole	fix screw for scanbuddy.



## GENERALSCAN

### Installation

**Step 1** : Confirm your Android device or Windows Tablet support OTG function first. Please note your device should provide at least 300maH current from MicroUSB port to external device. If you cannot confirm, please advise your device manufacturer.

**Step 2** : Hold GS-X3 with your hand and plug it into Android device or Windows Tablet device' s Micro USB port just like you charge your device like normal. Make sure the smartphone USB port direction is same with direction of Scanbuddy micro USB plug. Please plug the Scanbuddy into smartphone slowly and tightly.

**Step 3** , When Scanbuddy successfully plug into your device, Android or Windows table will find hardware automatically.

**Step 4**, Install the Scanbuddy drivers on the Android or Windows tablet,use the floating trigger button to scan the barcode

## GENERALSCAN

### Installation

**Step 5** : You can select three way to use the Scanbuddy.

**A.**Install the Generalscan Keyboard apps

<http://www.generalscan.com/download/Generalscan-Input.apk>

<http://www.generalscan.com/download/Generalscan-Keyboard-User-Manual-EN.pdf>

**B.**Install the Generalscan ScanBuddy apps

<http://www.generalscan.com/download/Generalscan-ScanBuddy.apk>

**C.** Integrate the Generalscan SDK into your apps and trigger the Scanbuddy with code.

<http://www.generalscan.com/download/Generalscan-FinalSDK-Public.zip>

**Step 6:** After you install one of above apps , the system will automatically run it when the hardware is plugged in the smartphone or tablet.

Step 6: After you install one of above apps , the system will automatically run it when the hardware is plugged in the smartphone or tablet.

**GENERALSCAN**

**GENERALSCAN**

**1.Barcode Setting Enable/Disable**

**Generalscan Barcode Configuration Guide**



**Enable Barcode Scan Configuration**



**Disable Barcode Scan Configuration**

## GENERALSCAN

### 2. Output Interface



**Bluetooth Output Mode**



**USB-HID Output Mode**



**USB-VPC Output Mode**

Note: Apply for all barcode scanner

## GENERALSCAN

### 3. Bluetooth Pairing



**Bluetooth Pairing Mode**



**Bluetooth HID Mode**



**Bluetooth SPP Mode**

Note: Apply for all bluetooth 3.0 barcode scanner

## GENERALSCAN

### 4.Hibernation Time



**1 second Hibernation**



**5 second Hibernation**



**Disable Hibernation**

Note:Apply for all barcode scanner

## GENERALSCAN

### 5.Hardware Information



**Read Firmware Version**



**Read Device ID**



**Read Battery Volume**

Note:Apply for all bluetooth 3.0 barcode scanner

## GENERALSCAN

### 6.DFU Mode-Firmware Update



Enter DFU Mode

### 7.Default Factory Setting



Default Factory Setting

Note:Apply for all barcode scanner

## GENERALSCAN

### 8.Bulid-In Suffix for CRLF



Disable Suffix

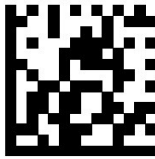


Enable Suffix

Note:Apply for all series barcode scanner

## GENERALSCAN

### 9.Low Power for Decode Board



**Enable Low Power**

Note:Apply only for GS-M500BT

## GENERALSCAN

### 10.Android USB Accessory Setting



**Standard Charging Mode**



**Fast Charging Mode**



**1 Hour Hibernation**



**Disable Hibernation**

Note:Apply only for WT series

## GENERALSCAN

### 11.Offline Storage Mode



**Enable Offline Storage Mode**



**Disable Offline Storage Mode**



**Barcode Storage Information**



**Clear Barcode Storage**

Note:Apply for all bluetooth barcode scanner

## GENERALSCAN

### 12.Offline Storage Mode



**Fast Speed Upload**



**Middle Speed Upload**



**Low Speed Upload**

Note:Apply for all bluetooth barcode scanner

## GENERALSCAN

### 13.Continue Read Mode



**Diable Auto Trigger**



**1 Second Auto Trigger**



**2 Second Auto Trigger**



**5 Second Auto Trigger**

Note:Apply for all bluetooth barcode scanner

## GENERALSCAN

### 14.Reset &Change Bluetooth Name



**Reset Factory Bluetooth Name**



**Default Bluetooth Name**



**{G1073/Generalscan HID Scanner}  
HID Mode BLuetooth Rename Barcode**



**{G1070/Generalscan SPP Scanner}  
SPP Mode Bluetooth Rename Barcode**

Note:Apply for all bluetooth barcode scanner



## GENERALSCAN

### 15.HID Keyboard Layout



English Keyboard Layout



France Keyboard Layout



Germany Keyboard Layout



Spain Keyboard Layout



Italy Keyboard Layout

Note:Apply for all bluetooth barcode scanner

## GENERALSCAN

### 16.Fn,Escape,Delete Function Key



F1



F2



F3



F4



F5



F6

Note:Apply for all bluetooth barcode scanner

## GENERALSCAN

### 17.HID Keyboard Layout



Note:Apply for all bluetooth barcode scanner

## GENERALSCAN

### 18.Fn,Escape,Delete Function Key



Note:Apply for all bluetooth barcode scanner

## GENERALSCAN

### 19. Bluetooth Dongle Setting



Clear Bluetooth Pairing Information



Default Dongle Factory Setting



Read Dongle Firmware



Read Dongle Device ID

Note:Apply for GS-D100BT Bluetooth Dongle

## GENERALSCAN

### 20. Bluetooth Dongle Setting



Read Dongle MAC Address



USB HID Output Mode



USB VPC Output Mode

Note:Apply for GS-D100BT Bluetooth Dongle

## GENERALSCAN

### 21. Buzzer Volume Setting



**Mute Buzzer Volume**



**30% Buzzer Volume**



**60% Buzzer Volume**



**100% Buzzer Volume**

Note: Apply for all series product except GS-M500BT

54

## GENERALSCAN

### 22. Bluetooth Master/Slave Mode



**Switch Bluetooth Master/Slave**

Note: Apply for GS-R1001BT

55

## GENERALSCAN

### 23. Bluetooth 4.0 Setting



**Bluetooth HID Mode**



**Bluetooth SPP Mode**



**Bluetooth BLE Mode**



**Clear Bluetooth HID Record**

Note:Apply for all bluetooth barcode scanner

## GENERALSCAN

### 24-1. Bluetooth Pairing Guide

When you use Generalscan GS-M series bluetooth barcode first time,the default data transfer interface is bluetooth ,You can pairing bluetooth barcode scanner with Android ,iOS,WP8 smartphone or Windows tablet. For detail instruction ,please reference the following document :

<http://www.generalscan.com/download/Generalscan-Bluetooth-Pair-User-Guide-EN.pdf>

When you connect with Android and iOS smartphone,please confirm the data interface is Bluetooth ,If you don't confirm ,please scan the following barcode to switch Bluetooth mode.



**Bluetooth Output Mode**

Note:Apply for all bluetooth barcode scanner

## GENERALSCAN

### 24-2. Bluetooth Pairing Guide

The Generalscan Bluetooth barcode scanner have two transfer protocol ,One is HID keyboard emulation ,You can use this protocol to make scanner as a external bluetooth keyboard.

Android and iOS support HID ,You don't need install any software to use HID.You can scan barcode into the cursor position.Please scan the following barcode to switch HID mode :



**Bluetooth HID Mode**

Note:Apply for all bluetooth barcode scanner

## GENERALSCAN

### 24-3. Bluetooth Pairing Guide

Another mode is SPP mode. This mode is wireless serial port mode .Android system support SPP mode ,but iOS don't support this mode for free, When you connect Android not successful in HID mode ,please switch to SPP mode.



**Bluetooth SPP Mode**

When you use SPP mode for Android and Windows phone platform,you should use the SDK or Generalscan Input APK to read barcode from the SPP port.

Please download the SDK and other apps from the following address:

<http://http://www.generalscan.com/en-us/download.php>

Note:Apply for all bluetooth barcode scanner

## GENERALSCAN

### 24-4. Bluetooth Pairing Guide

When you want to pairing with iOS and have two way communication at the same time , you should use the scanner with Bluetooth 4.0 .

It similar with SPP mode but it is free and no need pass the MFI certification .

Please scan the following Bluetooth BLE mode barcode and search it in iOS device.

We recommend you use SPP mode for two way communcation in Android,the compatibility is better than BLE in Android platform.



**Bluetooth BLE Mode**

Note:with Bluetooth BLE mode ,the blue LED will not blink in fast .

Note:Apply for all bluetooth barcode scanner with BLE 60

## GENERALSCAN

### 24-5. Bluetooth Pairing Guide

When you connect with Android and iOS device ,please scan the Enter Pairing Mode barcode first .You will see the blue LED will blink after scan Enter Pairing Mode barcode, then search device in Android and iOS setting interface,The name of GS-M serial bluetooth barcode will display as "GS-BarcodeScanner"



**Bluetooth Pairing Mode**

After you pairing successfully ,the blue LED will stop blink. The detail pairing procedure for Android ,iOS ,WP8 ,please reference the following video :

<http://www.generalscan.com/en-us/video-en.php>

Note:Apply for all bluetooth barcode scanner

**GENERALSCAN****25.Trouble Shooting**

<b>Problem</b>	<b>Possible Solution</b>
Laser or imager comes out from scan windows, but there is no any output from bluetooth.	Ensure the scanner is programmed to read the type of barcode being scanned.
	Confirm the output mode is Bluetooth Output mode
	Move scanner closer to or further from the barcode
No Laser or Imager out from scan windows	Charge the battery with Micro-USB Port
	Push the power switch to ON

62

**GENERALSCAN****26.Trouble Shooting**

<b>Problem</b>	<b>Possible Solution</b>
iOS can not find the bluetooth scanner	Scan the Pairing mode barcode
	Remove the paired scanner in the smartphone or tablet
Scanbuddy GS-X series plug into smartphone ,but can not work, No lighting comes from scan window	Confirm your device support OTG function and can provide at least 300mHa current to external scanner
	Confirm driver was install properly

63



## GENERALSCAN

### 27.Regulatory Information

This guide applies to all Generalscan barcode scanner. All Generalscan devices are designed to be compliant with rules and regulations in locations they are sold and will be labeled as required.

Any changes or modifications to Generalscan equipment, not expressly approved by Generalscan, could void the user's authority to operate the equipment.

**CAUTION:**

Only use Generalscan approved and UL Listed accessories, battery packs and battery chargers. Do NOT attempt to charge damp/wet mobile computers or batteries. All components must be dry before connecting to an external power source.

Declared maximum operating temperature: 40 ° C.

**Bluetooth® Wireless Technology**

This is an approved Bluetooth® product. For more information or to view End Product Listing, please visit <https://www.bluetooth.org/tpg/listings.cfm>

## GENERALSCAN

### 28.Health and Safty Recommendations

**Ergonomic Recommendations**

Caution: In order to avoid or minimize the potential risk of ergonomic injury follow the recommendations below. Consult with your local Health & Safety Manager to ensure that you are adhering to your company's safety programs to prevent employee injury.

- Reduce or eliminate repetitive motion
- Maintain a natural position
- Reduce or eliminate excessive force
- Keep objects that are used frequently within easy reach
- Perform tasks at correct heights
- Reduce or eliminate vibration
- Reduce or eliminate direct pressure
- Provide adjustable workstations
- Provide adequate clearance
- Provide a suitable working environment
- Improve work procedures.

## GENERALSCAN

### 29.Laser Devices

For LED devices which have been evaluated to IEC 62471 and comply with the Exempt Risk Group, no product labeling requirements apply. However, the following statement is required to comply with US and international regulations:

**LED Compliance Statement:**  
**Classified as "EXEMPT RISK GROUP" according to IEC 62471:2006 and EN 62471:2008**

## GENERALSCAN

### 30.Batteries

#### Ergonomic Recommendations

#### Taiwan - Recycling



「廢電池請回收」

EPA (Environmental Protection Administration) requires dry battery producing or importing firms in accordance with Article 15 of the Waste Disposal Act are required to indicate the recycling marks on the batteries used in sales, giveaway or promotion. Contact a qualified Taiwanese recycler for proper battery disposal.

CAUTION Risk of explosion if battery is replaced by an incorrect type. Dispose of batteries according to instructions.  
Use only Generalscan approved batteries

## GENERALSCAN

### 31. Battery Safety Guidelines

- The area in which the units are charged should be clear of debris and combustible materials or chemicals. Particular care should be taken where the device is charged in a non commercial environment.
- Follow battery usage, storage, and charging guidelines found in the user's guide.
- Improper battery use may result in a fire, explosion, or other hazard.
- To charge the mobile device battery, the battery and charger temperatures must be between +32 °F and +104 °F (0 °C and +40 °C).
- Do not use incompatible batteries and chargers. Use of an incompatible battery or charger may present a risk of fire, explosion, leakage, or other hazard. If you have any questions about the compatibility of a battery or a charger, contact the Global Customer Support Center.
- For devices that utilize a USB port as a charging source, the device shall only be connected to products that bear the USB-IF logo or have completed the USB-IF compliance program.

68

## GENERALSCAN

### 32. Battery Safety Guidelines

- Do not disassemble or open, crush, bend or deform, puncture, or shred.
  - Severe impact from dropping any battery-operated device on a hard surface could cause the battery to overheat.
  - Do not short circuit a battery or allow metallic or conductive objects to contact the battery terminals.
  - Do not modify or remanufacture, attempt to insert foreign objects into the battery, immerse or expose to water or other liquids, or expose to fire, explosion, or other hazard.
- Do not leave or store the equipment in or near areas that might get very hot, such as in a parked vehicle or near a radiator or other heat source. Do not place battery into a microwave oven or dryer.
- Battery usage by children should be supervised.
  - Please follow local regulations to promptly dispose of used re-chargeable batteries.
  - Do not dispose of batteries in fire.
  - Seek medical advice immediately if a battery has been swallowed.

69

## GENERALSCAN

### 33. Battery Safety Guidelines

- In the event of a battery leak, do not allow the liquid to come in contact with the skin or eyes. If contact has been made, wash the affected area with large amounts of water and seek medical advice.
- If you suspect damage to your equipment or battery, contact the Global Customer Support Center support to arrange for inspection.

## GENERALSCAN

### 34. Service Information

If you have a problem using the equipment, contact your facility's technical or systems support. If there is a problem with the equipment, they will contact the Generalscan Global Customer Support Center at:  
<http://www.generalscan.com/support>  
For the latest version of this guide go to:  
<http://www.generalscan.com/support>

### 35. Warranty

For the complete Generalscan hardware product warranty statement, go to: <http://www.generalscan.com/warranty>.



## **Generalscan Electronics Co.; Ltd**

### **Sales Center :**

**Add:**Room A608,6 Floor,Building 3,Yadi Science Park,  
Hetai Road,Baiyun District,Guangzhou, China.510425

**Tel:** +86-20-28630420

**Fax:** +86-20-62351535

**Email :** [sales@generalscan.com](mailto:sales@generalscan.com)

**Web:**[www.generalscan.com](http://www.generalscan.com)